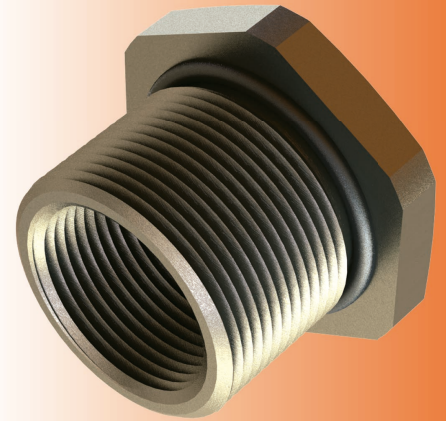


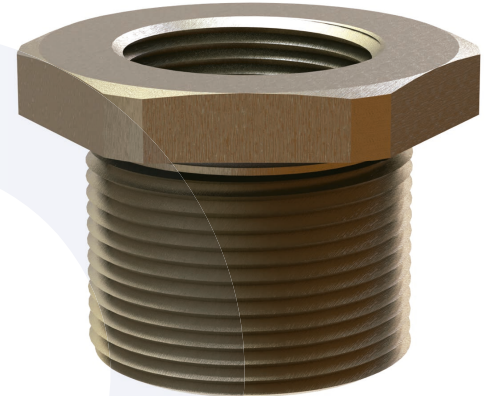
# Reductores de rosca para aplicaciones Ex d/e

GRUS

Detalles Técnicos		
Material	Cuerpo	Latón niquelado, acero inoxidable 316L.
	O-Ring	CR (Cloropreno, caucho) ó Silicón.
Clasificación del Grado de Protección (IP)		IP 68 (5 bar, 30 min)
		IP 66
Temperatura de Operación	Material del O-ring	
	CR (Cloropreno)	Silicón
	Ex d/e/tb	-40°C a +100°C      -60°C a +130°C
Accesorio para	Atmósferas de gases y polvos potencialmente explosivas	
Adecuado para su uso en zonas ATEX tipo:	Grupo II	Gases Grupo IIC      ZONA 1/ZONA 2
	Grupo III	Gases Grupo IIIC      ZONA 21/ZONA 22
Compatible con equipos marcados con protección:	Ex II 2GD Ex db IIC Gb Ex eb IIC Gb Ex tb IIIC Db.	
Ejemplo de marcado	"BMD B-RA.. CE 0722..... II 2GD Ex eb IIC Gb Ex tb IIIC Db Ta-40°C to +100°C IP66/68 CESI 13 ATEX 066X IECEX CES 13.0022X"	
Tipo de rosca	<ul style="list-style-type: none"> <li>Métrica (M), de acuerdo a la norma ISO, paso de rosca igual a 1.5</li> <li>NPT (N), de acuerdo a la norma ANSI ASME B1.20.1</li> <li>PG, de acuerdo a la norma DIN 40430</li> <li>(G) GAS de acuerdo a la norma UNI ISO 228/1</li> </ul>	
Accesorios	<ul style="list-style-type: none"> <li>Junta tórica (gasket)</li> </ul>	
Comentarios	<ul style="list-style-type: none"> <li>O-ring incluido en modelos de rosca métrica (M).</li> <li>Todos los accesorios se venden por separado</li> </ul>	



Aprobaciones	Número de certificado	Estándares
	CES113 ATEX 066X	EN 60079-0:2012+A11:2013 EN 60079-1:2014 EN 60079-7:2015 EN 60079-31:2014
	IECEX CES 13.0022X	IEC 60079-0:2011 Edition:6 IEC 60079-1:2014 Edition:7 IEC 60079-31:2013 Edition:2 IEC 60079-7:2015 Edition:5
	N° TC RU C-TR.AA87.B.00941	OCT 31610.0-2014 OCT IEC 60079-1:2013 OCT IEC 60079-31:2013
	DNV 12.0150 X	ABNT NBR IEC 60079-0:2008 ABNT NBR IEC 60079-1:2009 ABNT NBR IEC 60079-7:2008 ABNT NBR IEC 60079-31:2011
	E-14044	IEC/EN60079-0 IEC/EN60079-7 IEC/EN60079-31 IEC/EN60079-1 IEC/EN 62444



Para más información visita nuestra página web: [www.conectoresglandula.com](http://www.conectoresglandula.com)

Reductores de rosca  
Áreas Clasificadas

Áreas Clasificadas  
GRUS

✉ [ventas@cealmx.com](mailto:ventas@cealmx.com)  
☎ +52 (33) 1368 6106 / 08  
📞 +52 1 (33) 2353 7193

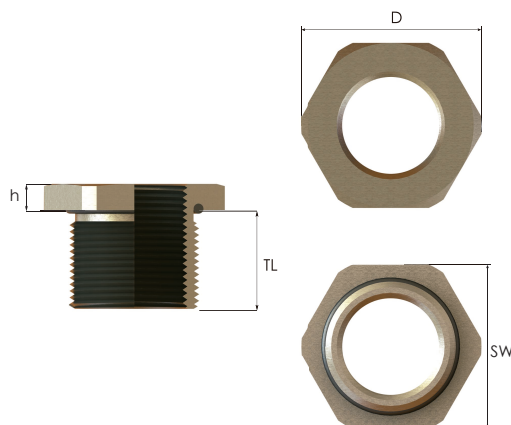
[www.conectoresglandula.com](http://www.conectoresglandula.com)

SUMINISTROS DE ESPECIALIDAD

bimed

# GRUS

## Reductores de rosca para aplicaciones Ex d/e

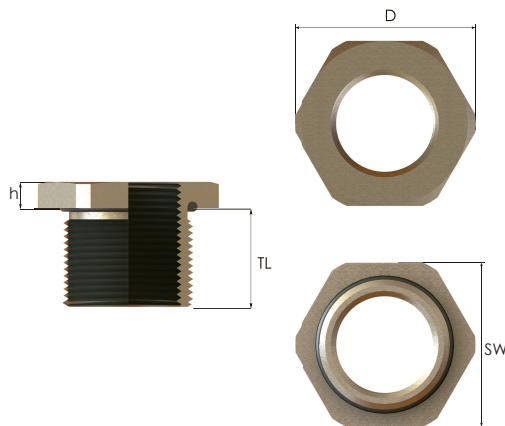


Reductor de rosca hembra Métrica a rosca macho Métrica, de acuerdo a la norma ISO 965-3

Tamaño de rosca macho	Entrada de rosca hembra	Longitud de la rosca de salida TL mm	Ancho de llave inglesa SW mm	Diámetro exterior Ø D mm	Altura H mm	Número de parte
M20x1.5	M16x1.5	15.0	25	27.5	4.0	B-RA1M01M
M25x1.5	M16x1.5	15.0	30	33.0	4.0	B-RA2M01M
	M20x1.5	15.0	30	33.0	4.0	B-RA2M1M
M32x1.5	M16x1.5	15.0	36	39.5	4.0	B-RA3M01M
	M20x1.5	15.0	36	39.5	4.0	B-RA3M1M
	M25x1.5	15.0	36	39.5	4.0	B-RA3M2M
M40x1.5	M16x1.5	18.0	45	50.0	4.0	B-RA4M01M
	M20x1.5	18.0	45	50.0	4.0	B-RA4M1M
	M25x1.5	18.0	45	50.0	4.0	B-RA4M2M
	M32x1.5	18.0	45	50.0	4.0	B-RA4M3M
M50x1.5	M16x1.5	18.0	55	61.0	5.0	B-RA5M01M
	M20x1.5	18.0	55	61.0	5.0	B-RA5M1M
	M25x1.5	18.0	55	61.0	5.0	B-RA5M2M
	M32x1.5	18.0	55	61.0	5.0	B-RA5M3M
	M40x1.5	18.0	55	61.0	5.0	B-RA5M4M
M60x1.5	M20x1.5	18.0	70	77.0	5.0	B-RA6M01M
	M25x1.5	18.0	70	77.0	5.0	B-RA6M02M
	M32x1.5	18.0	70	77.0	5.0	B-RA6M03M
	M40x1.5	18.0	70	77.0	5.0	B-RA6M04M
	M50x1.5	18.0	70	77.0	5.0	B-RA6M05M
M63x1.5	M20x1.5	18.0	70	77.0	5.0	B-RA6M1M
	M25x1.5	18.0	70	77.0	5.0	B-RA6M2M
	M32x1.5	18.0	70	77.0	5.0	B-RA6M3M
	M40x1.5	18.0	70	77.0	5.0	B-RA6M4M
	M50x1.5	18.0	70	77.0	5.0	B-RA6M5M
M70x1.5	M25x1.5	18.0	80	89.0	6.0	B-RA7M02M
	M32x1.5	18.0	80	89.0	6.0	B-RA7M03M
	M40x1.5	18.0	80	89.0	6.0	B-RA7M04M
	M50x1.5	18.0	80	89.0	6.0	B-RA7M05M
	M60x1.5	18.0	80	89.0	6.0	B-RA7M06M
	M32x1.5	18.0	85	94.0	6.0	B-RA7M3M
M75x1.5	M40x1.5	18.0	85	94.0	6.0	B-RA7M4M
	M50x1.5	18.0	85	94.0	6.0	B-RA7M5M
	M60x1.5	18.0	85	94.0	6.0	B-RA7M60M
	M63x1.5	18.0	85	94.0	6.0	B-RA7M6M
M80x1.5	M40x1.5	18.0	90	100.0	6.0	B-RA8M04M
	M50x1.5	18.0	90	100.0	6.0	B-RA8M05M
	M60x1.5	18.0	90	100.0	6.0	B-RA8M06M
	M63x1.5	18.0	90	100.0	6.0	B-RA8M06M
	M70x1.5	18.0	90	100.0	6.0	B-RA8M070M
M85x1.5	M50x1.5	21.0	95	105.0	8.0	B-RA85M5M
	M60x1.5	21.0	95	105.0	8.0	B-RA85M60M
	M63x1.5	21.0	95	105.0	8.0	B-RA85M6M
	M70x1.5	21.0	95	105.0	8.0	B-RA85M70M
	M75x1.5	21.0	95	105.0	8.0	B-RA85M7M
M90x1.5	M63x1.5	21.0	100	111.0	8.0	B-RA8M6M
	M70x1.5	21.0	100	111.0	8.0	B-RA8M70M
	M75x1.5	21.0	100	111.0	8.0	B-RA8M7M
	M80x1.5	21.0	100	111.0	8.0	B-RA8M80M
M100x1.5	M80x1.5	21.0	110	123.0	10.0	B-RA9M80M
	M85x1.5	21.0	110	123.0	10.0	B-RA9M85M
	M90x1.5	21.0	110	123.0	10.0	B-RA9M8M
M110x1.5	M90x1.5	21.0	120	133.5	10.0	B-RA10M8M
	M100x1.5	21.0	120	133.5	10.0	B-RA10M9M

# GRUS

## Reductores de rosca para aplicaciones Ex d/e



Reductor de rosca hembra NPT a macho Métrica, de acuerdo a la norma ANSI ASME B1.20.1 y a la norma ISO 965-3

Tamaño de rosca macho	Entrada de rosca hembra	Longitud de la rosca de salida TL mm	Ancho de llave inglesa SW mm	Diámetro exterior Ø D mm	Altura H mm	Número de parte
M20x1.5	NPT 3/8"	15.0	25	27.5	4.0	B-RA1M01N
M25x1.5	NPT 3/8"	15.0	30	33.0	4.0	B-RA2M01N
	NPT 1/2"	15.0	30	33.0	4.0	B-RA2M1N
M32x1.5	NPT 3/8"	15.0	36	39.5	4.0	B-RA3M01N
	NPT 1/2"	15.0	36	39.5	4.0	B-RA3M1N
	NPT 3/4"	15.0	36	39.5	4.0	B-RA3M2N
M40x1.5	NPT 3/8"	18.0	45	50.0	4.0	B-RA4M01N
	NPT 1/2"	18.0	45	50.0	4.0	B-RA4M1N
	NPT 3/4"	18.0	45	50.0	4.0	B-RA4M2N
M50x1.5	NPT 3/8"	18.0	55	61.0	5.0	B-RA5M01N
	NPT 1/2"	18.0	55	61.0	5.0	B-RA5M1N
	NPT 3/4"	18.0	55	61.0	5.0	B-RA5M2N
M60x1.5	NPT 3/8"	18.0	70	77.0	5.0	B-RA6M01N
	NPT 1/2"	18.0	70	77.0	5.0	B-RA6M1N
	NPT 3/4"	18.0	70	77.0	5.0	B-RA6M2N
	NPT 1"	18.0	70	77.0	5.0	B-RA6M3N
M63x1.5	NPT 3/8"	18.0	70	77.0	5.0	B-RA6M01N
	NPT 1/2"	18.0	70	77.0	5.0	B-RA6M1N
	NPT 3/4"	18.0	70	77.0	5.0	B-RA6M2N
	NPT 1"	18.0	70	77.0	5.0	B-RA6M3N
M70x1.5	NPT 3/8"	18.0	80	89.0	6.0	B-RA7M01N
	NPT 1/2"	18.0	80	89.0	6.0	B-RA7M1N
	NPT 3/4"	18.0	80	89.0	6.0	B-RA7M2N
	NPT 1"	18.0	80	89.0	6.0	B-RA7M3N
	NPT 1 1/4"	18.0	80	89.0	6.0	B-RA7M4N
M75x1.5	NPT 1/2"	18.0	80	89.0	6.0	B-RA7M1N
	NPT 3/4"	18.0	85	94.0	6.0	B-RA7M2N
	NPT 1"	18.0	85	94.0	6.0	B-RA7M3N
	NPT 1 1/4"	18.0	85	94.0	6.0	B-RA7M4N
	NPT 1 1/2"	18.0	85	94.0	6.0	B-RA7M5N
M80x1.5	NPT 3/4"	18.0	90	100.0	6.0	B-RA8M2N
	NPT 1"	18.0	90	100.0	6.0	B-RA8M3N
	NPT 1 1/4"	18.0	90	100.0	6.0	B-RA8M4N
	NPT 1 1/2"	18.0	90	100.0	6.0	B-RA8M5N
	NPT 2"	18.0	90	100.0	6.0	B-RA8M6N
M85x1.5	NPT 1"	21.0	95	105.0	8.0	B-RA8M3N
	NPT 1 1/4"	21.0	95	105.0	8.0	B-RA8M4N
	NPT 1 1/2"	21.0	95	105.0	8.0	B-RA8M5N
	NPT 2"	21.0	95	105.0	8.0	B-RA8M6N
	NPT 2 1/2"	21.0	95	105.0	8.0	B-RA8M7N
M90x1.5	NPT 1 1/4"	21.0	100	111.0	8.0	B-RA8M4N
	NPT 1 1/2"	21.0	100	111.0	8.0	B-RA8M5N
	NPT 2"	21.0	100	111.0	8.0	B-RA8M6N
	NPT 2 1/2"	21.0	100	111.0	8.0	B-RA8M7N
M100x1.5	NPT 1 1/2"	21.0	110	123.0	10.0	B-RA9M5N
	NPT 2"	21.0	110	123.0	10.0	B-RA9M6N
	NPT 2 1/2"	21.0	110	123.0	10.0	B-RA9M7N
	NPT 3"	21.0	110	123.0	10.0	B-RA9M8N
M110x1.5	NPT 2"	21.0	120	133.5	10.0	B-RA10M6N
	NPT 2 1/2"	21.0	120	133.5	10.0	B-RA10M7N

## Reductores de rosca para aplicaciones Ex d/e

Reductor de rosca hembra NPT a macho NPT, de acuerdo a la norma ANSI ASME B1.20.1

Tamaño de rosca macho	Entrada de rosca hembra	Longitud de la rosca de salida		Ancho de llave inglesa		Diámetro exterior		Altura		Número de parte
		TL mm	SW mm	SW mm	Ø D mm	H mm	H mm			
NPT 1/2"	NPT 3/8"	15.0	25	25	27.5	4.0			B-RA1N01N	
NPT 3/4"	NPT 3/8"	15.0	30	30	33	4.0			B-RA2N01N	
	NPT 1/2"	15.0	30	30	33	4.0			B-RA2N11N	
NPT 1"	NPT 3/8"	15.0	36	36	39.5	4.0			B-RA3N01N	
	NPT 1/2"	15.0	36	36	39.5	4.0			B-RA3N11N	
	NPT 3/4"	15.0	36	36	39.5	4.0			B-RA3N2N	
NPT 1 1/4"	NPT 1/2"	18.0	45	45	50	4.0			B-RA4N11N	
	NPT 3/4"	18.0	45	45	50	4.0			B-RA4N2N	
	NPT 1"	18.0	45	45	50	4.0			B-RA4N3N	
NPT 1 1/2"	NPT 3/4"	18.0	55	55	61	5.0			B-RA5N2N	
	NPT 1"	18.0	55	55	61	5.0			B-RA5N3N	
	NPT 1 1/4"	18.0	55	55	61	5.0			B-RA5N4N	
NPT 2"	NPT 3/4"	18.0	65	65	72	5.0			B-RA6N2N	
	NPT 1"	18.0	65	65	72	5.0			B-RA6N3N	
	NPT 1 1/4"	18.0	65	65	72	5.0			B-RA6N4N	
	NPT 1 1/2"	18.0	65	65	72	5.0			B-RA6N5N	
NPT 2 1/2"	NPT 3/4"	28.0	75	75	83	6.0			B-RA7N2N	
	NPT 1"	28.0	75	75	83	6.0			B-RA7N3N	
	NPT 1 1/4"	28.0	75	75	83	6.0			B-RA7N4N	
	NPT 1 1/2"	28.0	75	75	83	6.0			B-RA7N5N	
	NPT 2"	28.0	75	75	83	6.0			B-RA7N6N	
NPT 3"	NPT 1"	28.0	95	95	105	8.0			B-RA8N3N	
	NPT 1 1/4"	28.0	95	95	105	8.0			B-RA8N4N	
	NPT 1 1/2"	28.0	95	95	105	8.0			B-RA8N5N	
	NPT 2"	28.0	95	95	105	8.0			B-RA8N6N	
	NPT 2 1/2"	28.0	95	95	105	8.0			B-RA8N7N	
	NPT 3"	28.0	95	95	105	8.0			B-RA8N8N	
NPT 3 1/2"	NPT 1 1/4"	28.0	110	110	123	10.0			B-RA9N4N	
	NPT 1 1/2"	28.0	110	110	123	10.0			B-RA9N5N	
	NPT 2"	28.0	110	110	123	10.0			B-RA9N6N	
	NPT 2 1/2"	28.0	110	110	123	10.0			B-RA9N7N	
	NPT 3"	28.0	110	110	123	10.0			B-RA9N8N	
NPT 4"	NPT 1 1/2"	28.0	120	120	133.5	10.0			B-RA10N5N	
	NPT 2"	28.0	120	120	133.5	10.0			B-RA10N6N	
	NPT 2 1/2"	28.0	120	120	133.5	10.0			B-RA10N7N	
	NPT 3"	28.0	120	120	133.5	10.0			B-RA10N8N	

Reductor de rosca hembra Métrica a macho NPT, de acuerdo a la norma ISO 965-3 y a la norma ANSI ASME B1.20.1

Tamaño de rosca macho	Entrada de rosca hembra	Longitud de la rosca de salida		Ancho de llave inglesa		Diámetro exterior		Altura		Número de parte
		TL mm	SW mm	SW mm	Ø D mm	H mm	H mm			
NPT 1/2"	M16x1.5	15.0	25	25	27.5	4.0			B-RA1N01M	
NPT 3/4"	M16x1.5	15.0	30	30	33	4.0			B-RA2N01M	
	M20x1.5	15.0	30	30	33	4.0			B-RA2N1M	
NPT 1"	M16x1.5	15.0	36	36	39.5	4.0			B-RA3N01M	
	M20x1.5	15.0	36	36	39.5	4.0			B-RA3N1M	
	M25x1.5	15.0	36	36	39.5	4.0			B-RA3N2M	
NPT 1 1/4"	M16x1.5	18.0	45	45	50	4.0			B-RA4N01M	
	M20x1.5	18.0	45	45	50	4.0			B-RA4N1M	
	M25x1.5	18.0	45	45	50	4.0			B-RA4N2M	
	M32x1.5	18.0	45	45	50	4.0			B-RA4N3M	
NPT 1 1/2"	M20x1.5	18.0	55	55	61	5.0			B-RA5N1M	
	M25x1.5	18.0	55	55	61	5.0			B-RA5N2M	
	M32x1.5	18.0	55	55	61	5.0			B-RA5N3M	
	M40x1.5	18.0	55	55	61	5.0			B-RA5N4M	
NPT 2"	M25x1.5	18.0	65	65	72	5.0			B-RA6N2M	
	M32x1.5	18.0	65	65	72	5.0			B-RA6N3M	
	M40x1.5	18.0	65	65	72	5.0			B-RA6N4M	
	M50x1.5	18.0	65	65	72	5.0			B-RA6N5M	
NPT 2 1/2"	M50x1.5	28.0	75	75	83	6.0			B-RA7N5M	
	M60x1.5	28.0	75	75	83	6.0			B-RA7N60M	
	M63x1.5	28.0	75	75	83	6.0			B-RA7N6M	
NPT 3"	M63x1.5	28.0	95	95	105	8.0			B-RA8N6M	
	M70x1.5	28.0	95	95	105	8.0			B-RA8N70M	
	M75x1.5	28.0	95	95	105	8.0			B-RA8N7M	
NPT 3 1/2"	M80x1.5	28.0	110	110	123	10.0			B-RA9N80M	
	M85x1.5	28.0	110	110	123	10.0			B-RA9N85M	
	M90x1.5	28.0	110	110	123	10.0			B-RA9N8M	
NPT 4"	M80x1.5	28.0	120	120	133.5	10.0			B-RA10N80M	
	M85x1.5	28.0	120	120	133.5	10.0			B-RA10N85M	
	M90x1.5	28.0	120	120	133.5	10.0			B-RA10N8M	
	M100x1.5	28.0	120	120	133.5	10.0			B-RA10N9M	